

4

3

2

1

F

F

E

E

D

D

C

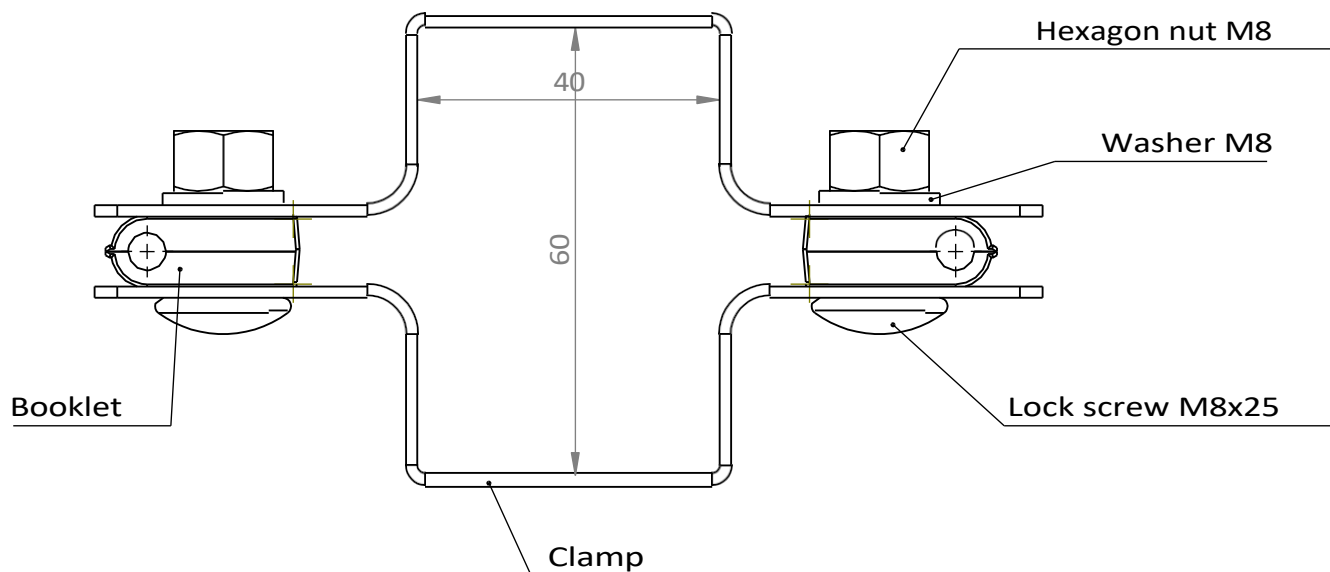
C

B

B

A

A

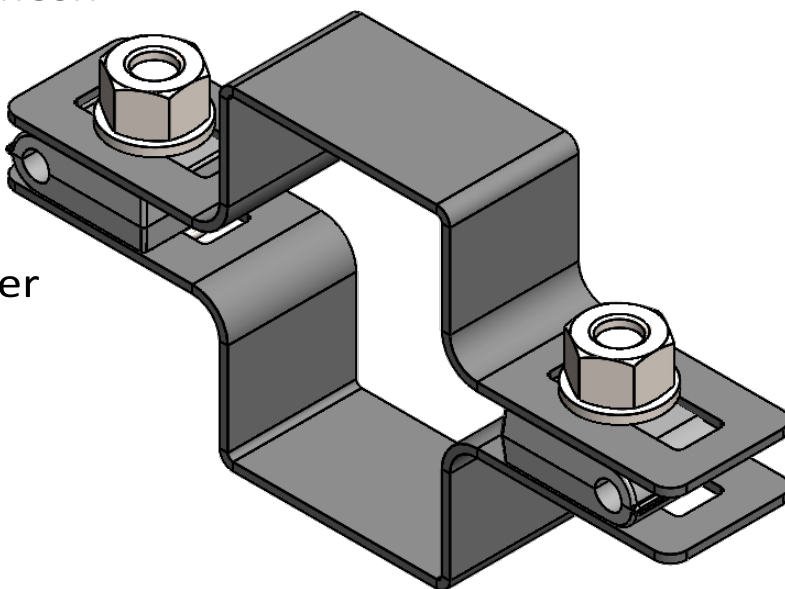


Available booklets for mesh



- $\varnothing 3$
- $\varnothing 4$
- $\varnothing 5$
- $\varnothing 6$

Available colours (powder coating)

- Anthracite
- Black
- Brown
- Green
- White galvanised



COPYING PROHIBITED

 WMW.PL <small>All rights reserved</small>	 <small>All rights reserved</small> <small>Print can be unscaled</small>	Standard:	A4 format	Scale 1:1	Sheet 1/1
		Material Bracket Booklet	Weight [kg]	Heat treatment	Principal
Constructed by	03.02.2025	Name of drawing		04.02.2025	
Drawn by	03.02.2025	Post clamp 60x40 through			
Checked	04.02.2025	Name of assembly/appliance 04.02.2025			Drawing no.
Issued	3	2		1	

4

1